

SANYO	No.4213	LC866020A/16A/12A/08A
		8-Bit Single Chip Microcomputer

LC866020A	On-chip 20K Bytes ROM and On-chip 384 Bytes 8-Bit Single Chip Microcomputer
LC866016A	On-chip 16K Bytes ROM and On-chip 384 Bytes 8-Bit Single Chip Microcomputer
LC866012A	On-chip 12K Bytes ROM and On-chip 384 Bytes 8-Bit Single Chip Microcomputer
LC866008A	On-chip 8K Bytes ROM and On-chip 384 Bytes 8-Bit Single Chip Microcomputer

Overview

The LC866020A/16A/12A/08A microcomputers are 8-bit single chip microcomputers with the following on-chip functional blocks :

- CPU : Operable at a minimum bus cycle time of 0.5 μ s (microsecond)
- On-chip ROM Maximum Capacity : 20K bytes
- On-chip RAM Capacity : 384 bytes
- VFD automatic display controller/driver
- 16-bit timer/counter
- 16-bit timer/PWM
- 4-channel 8-bit AD converter
- Two 8-bit synchronous serial-interface circuits
- 14-source 10-level vectored interrupt system

All of the above functions are fabricated on a single chip.

Features :

(1) Read-Only Memory (ROM) :	LC866020A	20480 x 8 bits
	LC866016A	16384 x 8 bits
	LC866012A	12288 x 8 bits
	LC866008A	8192 x 8 bits
(2) Random Access Memory (RAM) :	LC866020A/16A/12A/08A	384 x 8 bits

(3) Minimum bus cycle time : 0.5 μ s (using 12MHz CF resonator oscillation)

Bus cycle time means ROM-read period.

(4) Minimum instruction cycle time : 1 μ s (using 12MHz CF resonator oscillation)

ROM data is accessed twice in a instruction cycle time.

The operation of the microcomputers herein is about 1.7 times that of LC66000 series, our products in the same specified cycle time.

- (5) Ports :
- Input/output ports : 2 ports (16 terminals).
 - Input/output port programmable in nibble units : 1 port (8 terminals).
 - Input/output port programmable in a bit : 1 port (8 terminals).
 - Input ports : 2 ports (8 port pins).
 - VFD output ports : 30 terminals.
 - Large current output for digit : 16 terminals.
 - Pull-down resistor option available.
- (6) VFD automatic display controller
- Segment/digit output pattern programmable.
 - Any segment/digit combination available.
 - VFD parallel-drive available.
 - 16-step dimmer function available.
- (7) AD converter
- 4-channel 8-bit AD converter.
- (8) Serial-interface
- 2-channel 8-bit serial-interface.
 - LSB first / MSB first function available.
 - Internal 8-bit baud-rate generator in common with two serial-interface circuits.
- (9) Timer
- Timer 0
 - 16-bit timer/counter.
 - 2-bit prescaler + 8-bit programmable prescaler .
 - Mode 0 : Two 8-bit timers with programmable prescaler.
 - Mode 1 : 8-bit timer + 8-bit counter with programmable prescaler.
 - Mode 2 : 16-bit timer with programmable prescaler.
 - Mode 3 : 16-bit counter.
 - Resolution of Timer is Tcyc. (Tcyc : cycle time)
 - Timer 1
 - 16-bit timer/PWM
 - Mode 0 : Two 8-bit timers
 - Mode 1 : 8-bit timer + 8-bit PWM
 - Mode 2 : 16-bit timer
 - Mode 3 : Variable-bit PWM (9~16 bits)
 - In Mode 0 and Mode1, resolution of Timer and PWM is Tcyc.
 - In Mode 2 and Mode 3, resolution of Timer and PWM selectable : Tcyc or 1/2 Tcyc by program.
 - Base timer
 - Every 500ms overflow system for a clock application (using 32.768kHz crystal oscillation for Base timer clock).
 - Every 976 μ s, 3.9ms, 15.6ms, 62.5ms overflow system (using 32.768kHz crystal oscillation for Base timer clock).
 - The Base timer clock selectable; 32.768kHz crystal oscillation, System clock, and Programmable prescaler output of Timer 0.
- (10) Buzzer output
- The Buzzer sound frequency selectable; 4KHz, 2KHz (using 32.768kHz crystal oscillation for timer clock).
- (11) Remote-control receiver (using INT3/P73 terminals)
- Noise rejection available.
 - The interrupt polarity selectable.
- (12) Watchdog timer
- The watchdog timer is taken on RC outside
 - Watchdog timer operation selectable : interrupt system , system reset.

(13) Interrupt system

- 14-source 10-level vectored interrupts :
 1. External interrupt INT0 (includes watchdog timer)
 2. External interrupt INT1
 3. External interrupt INT2 , timer T0L
 4. External interrupt INT3 , base timer
 5. Timer/counter T0H
 6. Timer T1L , timer T1H
 7. Serial-interface SIO0
 8. Serial-interface SIO1
 9. AD converter
 10. VFD display controller , port 0

- Interrupt Priority control available

Interrupt Priority control register included.

These microcomputers are available to 3-level interrupt : low-level, high-level and highest-level.

It is available to assign the priority (low-level or high-level) of the eight interruptions : number 3 to 10 above.

And it is available to assign the priority (low-level or highest-level) of the two interruptions : number 1, 2 above.

(14) Real-time service operation

The Real-Time Service (RTS) functions the data-transfer between the Special Function Registers at acknowledging the interrupt request.

The RTS starts within 1 cycle-time and completes within 5 cycle-times after occurring the interrupt request.

(15) Sub-routine stack levels.

- 128 levels (Max.) : Stack area included in the RAM area.

(16) Multiplication and division

16-bit \times 8-bit (7 instruction cycle-times)

16-bit \div 8-bit (7 instruction cycle-times)

(17) 3 oscillation circuits

- On-chip RC oscillation circuit using for the system clock.
- On-chip CF oscillation circuit using for the system clock.
- On-chip crystal oscillation circuit using for the system clock and for time-base clock.

(18) Standby function

-HALT mode function

The HALT mode is used to reduce power dissipation. In this operation mode, program execution is stopped. This operation mode can be released by interrupt request signals or the system reset.

-HOLD mode function

The HOLD mode is used to freeze all the oscillations ; RC(internal), CF and Crystal oscillations. This mode can be released by the following operations

- Reset terminal (RES) set to Low level
- P70/INT0, P71/INT1 terminals set to assigned level (programmable)
- Port 0 terminal/terminals set to Low level (programmable)

(19) Factory shipment

- DIP 64S delivery form
- QFP 64E delivery form

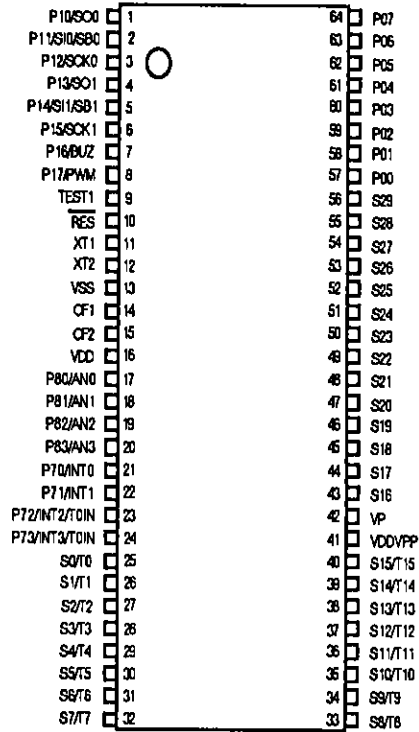
LC866020A/16A/12A/08A

(20) Development support tools

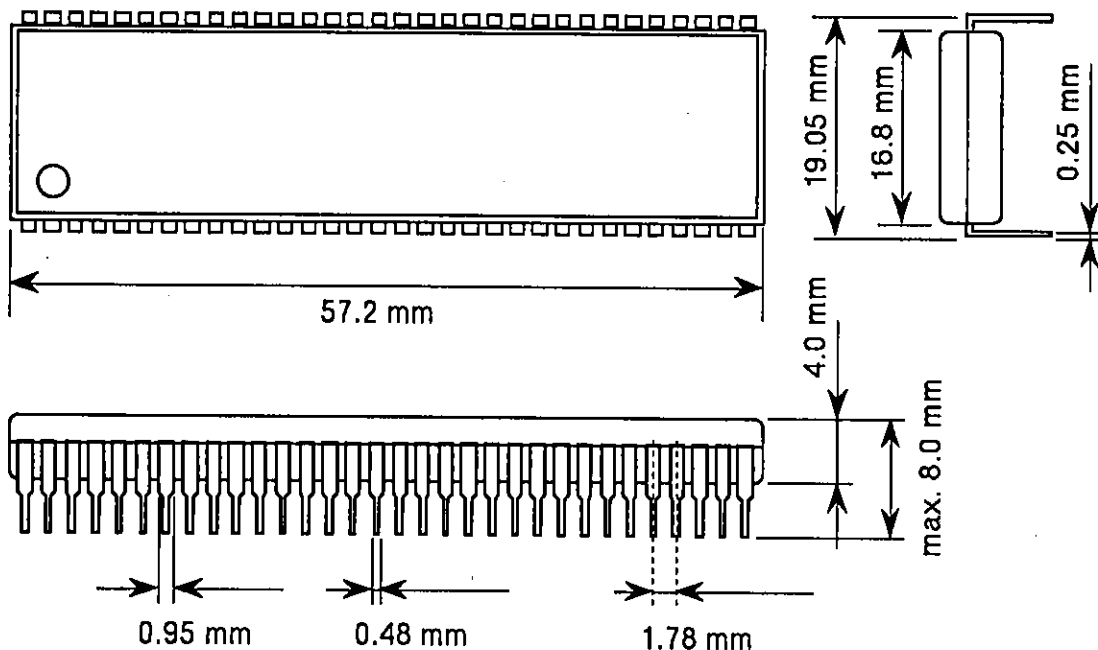
Evaluation (EVA) chip : LC866099
 EPROM version : LC86E6032
 One time version : LC86P6032
 Emulator : EVA-86000 + ECB866000(Evaluation chip board) + POD866000(POD)

Pin Assignment

·DIP64S



Package Dimensions 3071

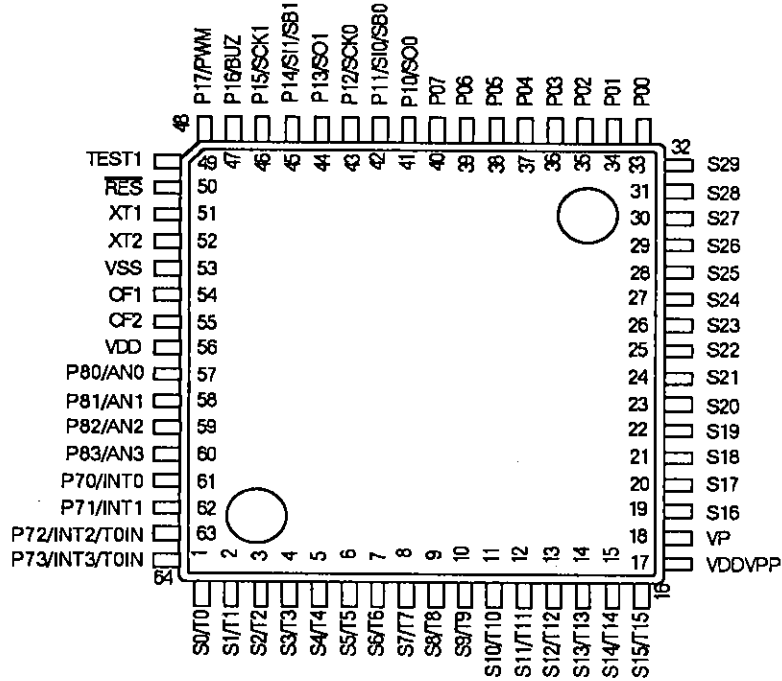


SANYO : DIP64S

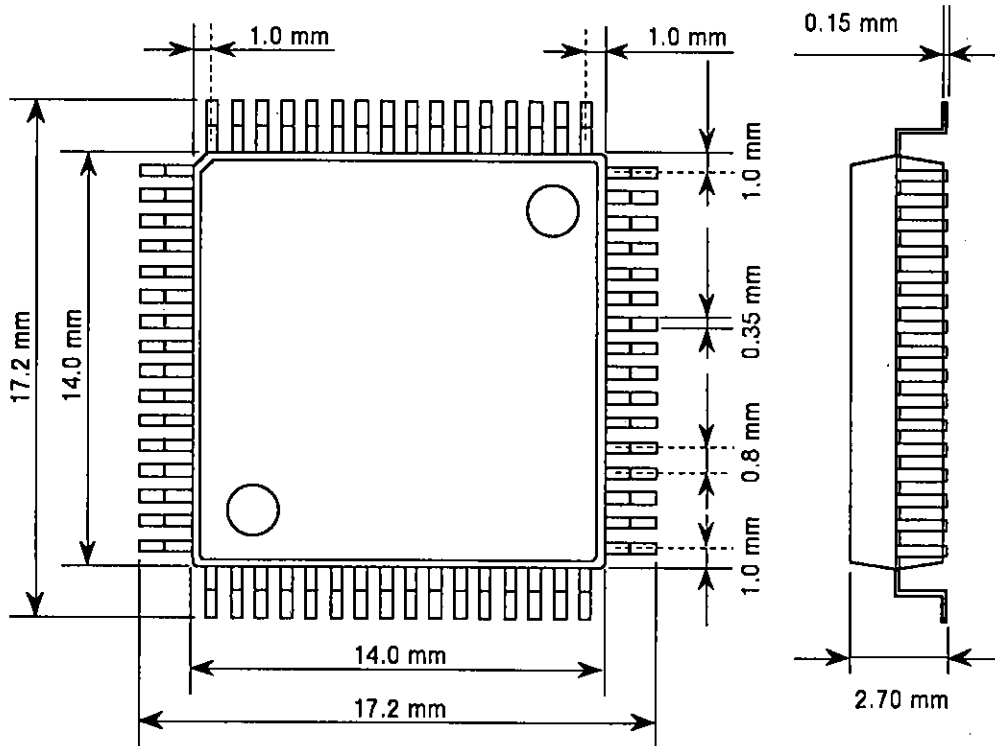
LC866020A/16A/12A/08A

Pin Assignment

·QFP64

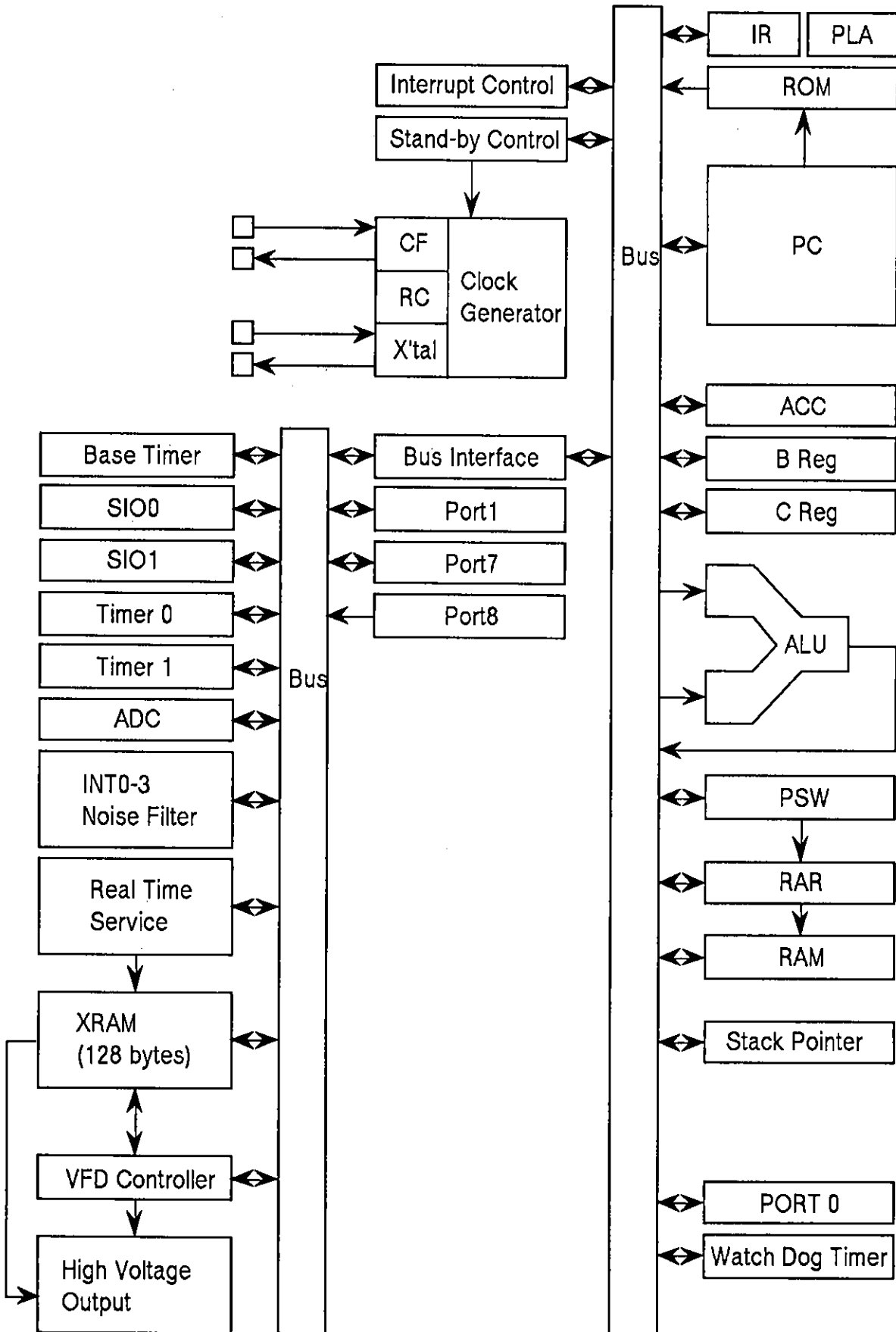


Package Dimensions 3159



SANYO : QIP64E

System Block Diagram



LC866020A/16A/12A/08A

LC866020A/16A/12A/08A Pin description

Pin name	I/O	Function description	Option																																			
VSS		Power pin(-).																																				
VDD		Power pin(+).																																				
VP		Power pin(-) for VFD output pulldown resistor.																																				
VDDVPP		Power pin(+).																																				
PORT0 P00~P07	I/O	<ul style="list-style-type: none"> 8-bit input/output port . Input for port 0 interrupt. Input/output in nibble units. Input for HOLD release. 	<ul style="list-style-type: none"> Pullup resistor : Provided / Not provided. Output form : CMOS/N-channel open drain. 																																			
PORT1 P10~P17	I/O	<ul style="list-style-type: none"> 8-bit input/output port. Input/output can be specified in bit unit. Other pin functions <ul style="list-style-type: none"> P10 : SIO0 data output P11 : SIO0 data input / bus input/output P12 : SIO0 clock input/output P13 : SIO1 data output P14 : SIO1 data input / bus input/output P15 : SIO1 clock input/output P16 : Buzzer output P17 : Timer 1 output (PWM output) 	Output form : CMOS/N-channel open drain.																																			
PORT7 P70 P71~P73	I/O I	<ul style="list-style-type: none"> 4-bit input port. Other pin functions. <ul style="list-style-type: none"> P70 : INT0 input/HOLD release /N-channel Tr. output for watchdog timer. P71 : INT 1 input/HOLD release. P72 : INT 2 input/timer 0 event input. P73 : INT 3 input with noise filter/timer 0 event input. Interrupt received form , vector address. <table border="1" style="width: 100%; border-collapse: collapse; text-align: center;"> <thead> <tr> <th></th> <th>Leading</th> <th>Trailing</th> <th>Leading & Trailing</th> <th>HIGH Level</th> <th>LOW Level</th> <th>VECTOR</th> </tr> </thead> <tbody> <tr> <td>INT0</td> <td>○</td> <td>○</td> <td>×</td> <td>○</td> <td>○</td> <td>03H</td> </tr> <tr> <td>INT1</td> <td>○</td> <td>○</td> <td>×</td> <td>○</td> <td>○</td> <td>0BH</td> </tr> <tr> <td>INT2</td> <td>○</td> <td>○</td> <td>○</td> <td>×</td> <td>×</td> <td>13H</td> </tr> <tr> <td>INT3</td> <td>○</td> <td>○</td> <td>○</td> <td>×</td> <td>×</td> <td>1BH</td> </tr> </tbody> </table>		Leading	Trailing	Leading & Trailing	HIGH Level	LOW Level	VECTOR	INT0	○	○	×	○	○	03H	INT1	○	○	×	○	○	0BH	INT2	○	○	○	×	×	13H	INT3	○	○	○	×	×	1BH	<ul style="list-style-type: none"> Pullup resistor : Provided / Not provided.
	Leading	Trailing	Leading & Trailing	HIGH Level	LOW Level	VECTOR																																
INT0	○	○	×	○	○	03H																																
INT1	○	○	×	○	○	0BH																																
INT2	○	○	○	×	×	13H																																
INT3	○	○	○	×	×	1BH																																
PORT8 P80~P87	I	<ul style="list-style-type: none"> 4-bit input port. Other functions. AD input port (4 port pins) 																																				
S0/T0~ S6/T6	O	Output for VFD display controller segment/timing in common.	<ul style="list-style-type: none"> Pulldown resistor : Provided / Not provided. (Usable for static output port at pulldown register Not provided.) 																																			
S7/T7~ S15/T15	O	Output for VFD display controller segment/timing with internal pulldown resistor in common.																																				

LC866020A/16A/12A/08A

Pin name	I/O	Function description	Option
S16~S29	O	Output for VFD display controller segment.	Pulldown resistor : Provided / Not provided. (Usable for static output port at pulldown resistor Not provided.)
RES	I	Reset pin with pullup resistor.	
TEST1	O	·Test pin. ·Should be left unconnected.	
XT1	I	Input pin for 32.768kHz crystal oscillation. In case of non use, connect to VDD.	
XT2	O	Output pin for 32.768kHz crystal oscillation. In case of non use, should be left unconnected.	
CF1	I	Input pin for ceramic resonator oscillation.	
CF2	O	Output pin for ceramic resonator oscillation.	

* All of port options can be specified in bit unit.

* A state of pins at reset.

Pin name	Input/output mode	A state of pullup resistor specified at pullup option
Ports 0,7	Input	Fixed pullup resistor exist
Port 1	Input	Programmable pullup resistor OFF

Pin name	A state of P-channel transistor
S0/T0~S15/T15	P-channel transistor OFF
S16~S29	P-channel transistor OFF

LC866020A/16A/12A/08A

1. Absolute maximum ratings / VSS = 0 V and Ta = 25°C

Parameter	Symbol	Pins	Conditions	Limits				unit
				VDD[v]	min.	typ.	max.	
Supply voltage	VDD MAX	VDD, VDDVPP	VDD=VDDVPP		-0.3	~	+7.0	V
Input voltage	VI(1)	· Ports 71, 72, 73 · Port 8 · $\overline{\text{RES}}$			-0.3	~	VDD+0.3	V
	VI(2)	VP			VDD-45	~	VDD+0.3	
Output voltage	VO(1)	· S0/T0~S15/T15 · S16~S29			VDD-45	~	VDD+0.3	V
Input/output voltage	VIO(1)	Ports 0, 1, 70			-0.3	~	VDD+0.3	V
High Level output current	Peak output current	IOPH(1)	Ports 0, 1	· CMOS output. · At each pins.			-4	mA
		IOPH(2)	S0/T0~S15/T15	At each pins.			-30	
		IOPH(3)	S16~S29	At each pins.			-15	
	Total output current	Σ IOAH(1)	Port 0	The total all pins.			-10	
		Σ IOAH(2)	Port 1	The total all pins.			-10	
Low Level output current	Peak output current	IOPL(1)	Ports 0, 1	At each pins.			20	mA
		IOPL(2)	Port 70	At each pins.			15	
	Total output current	Σ IOAL(1)	Port 0	The total all pins.			40	
		Σ IOAL(2)	Ports 1, 70	The total all pins.			40	
	Power dissipation(max.)	Pdmax	DIP64S	Ta=-30~+70°C				
QFP64E			Ta=-30~+70°C				430	
Operating temperature range	Topg				-30	~	70	°C
Storage temperature range	Tstg				-65	~	150	°C

LC866020A/16A/12A/08A

2. Recommended operating range / Ta = -30°C to +70°C, VSS = 0 V

Parameter	Symbol	Pins	Conditions	Limits				
				VDD[v]	min.	typ.	max.	unit
Operating supply voltage range	VDD(1)	VDD	0.98 μs ≤ Tcyc Tcyc ≤ 400 μs		4.5		6.0	V
	VDD(2)		3.9 μs ≤ Tcyc Tcyc ≤ 400 μs		2.5		6.0	
HOLD voltage	VHD	VDD	RAMs and Registers hold voltage at HOLD mode.		2.0		6.0	
Pulldown voltage	VP	VP		2.5~6.0	-35		VDD	
Input high voltage	VIH(1)	Port 0 (Schmitt)	Output disable	2.5~6.0	0.4VDD +0.9		VDD	
	VIH(2)	·Port 1 ·Ports 72,73 (Schmitt)	Output disable	2.5~6.0	0.75VDD		VDD	
	VIH(3)	·Port 70 port input/ interrupt. ·Port 71 ·RES (Schmitt)	Output N-channel Tr. OFF	2.5~6.0	0.75VDD		VDD	
	VIH(4)	Port 70 Watchdog timer input.	Output N-channel Tr. OFF	2.5~6.0	0.9VDD		VDD	
	VIH(5)	Port 8			2.5~6.0	0.75VDD		VDD
Input low voltage	VIL(1)	Port 0 (Schmitt)	Output disable	2.5~6.0	VSS		0.2VDD	
	VIL(2)	·Port 1 ·Ports 72,73 (Schmitt)	Output disable	2.5~6.0	VSS		0.25VDD	
	VIL(3)	·Port 70 Port input/ interrupt. ·Port 71 ·RES (Schmitt)	N-channel Tr. OFF	2.5~6.0	VSS		0.25VDD	
	VIL(4)	Port 70 Watchdog timer.	N-channel Tr. OFF	2.5~6.0	VSS		0.8VDD -1.0	
	VIL(5)	Port 8			2.5~6.0	VSS		0.25VDD
Operation cycle time	Tcyc			4.5~6.0	0.98		400	μs
				2.5~6.0	3.9		400	

Parameter	Symbol	Pins	Conditions	Limits				
				VDD[v]	min.	typ.	max.	unit
Oscillation frequency range (Note 1)	FmCF(1)	CF1,CF2	·12MHz(ceramic resonator oscillation). ·Refer to figure 1	4.5~6.0	11.76	12	12.24	MHz
	FmCF(2)	CF1,CF2	·3MHz(ceramic resonator oscillation). ·Refer to figure 1	2.5~6.0	2.94	3	3.06	
	FmRC		RC oscillation	2.5~6.0	0.4	0.8	2.0	
	FsXtal	XT1,XT2	·32.768kHz(cystal oscillation). ·Refer to figure 2	2.5~6.0		32.768		kHz
Oscillation stable time period (Note 1)	TmsCF(1)	CF1,CF2	·12MHz(ceramic resonator oscillation). ·Refer to figure 3	4.5~6.0		0.02	0.2	ms
	TmsCF(2)	CF1,CF2	·3MHz(ceramic resonator oscillation). ·Refer to figure 3	4.5~6.0		0.1	1	
				2.5~6.0		0.1	3	
	TssXtal	XT1,XT2	·32.768kHz(cystal oscillation). ·Refer to figure 3	4.5~6.0		1	1.5	s
2.5~6.0					1	3		

(Note 1) The oscillation constant is shown on table 1 and table 2.

LC866020A/16A/12A/08A

3. Electrical characteristics / Ta=-30°C to +70°C , VSS = 0 V

Parameter	Symbol	Pins	Conditions	Limits				unit
				VDD[v]	min.	typ.	max.	
Input high current	I _{IH} (1)	·Port 1 ·Port 0 without pullup MOS Tr.	·Output disable ·Pullup MOS Tr. OFF. VIN=VDD (including off-leak current of output Tr.)	2.5~6.0			1	μA
	I _{IH} (2)	·Port 7 without pullup MOS Tr. ·Port 8	VIN=VDD	2.5~6.0			1	
	I _{IH} (3)	·RES	VIN=VDD	2.5~6.0			1	
Input low current	I _{IL} (1)	·Port 1 ·Port 0 without pullup MOS Tr.	·Output disable ·Pullup MOS Tr. OFF. VIN=VSS (including off-leak current of output Tr.)	2.5~6.0	-1			
	I _{IL} (2)	·Port 7 without pullup MOS Tr. ·Port 8	VIN=VSS	2.5~6.0	-1			
	I _{IL} (3)	·RES	VIN=VSS	2.5~6.0	-1			
Output high voltage	VOH(1)	CMOS output of ports 0,1	IOH=-1.0mA	4.5~6.0	VDD-1			V
	VOH(2)		IOH=-0.1mA	2.5~6.0	VDD-0.5			
	VOH(3)	S0/T0~S15/T15	IOH=-20mA	4.5~6.0	VDD-1.8			
	VOH(4)		·IOH=-1.0mA ·The current of any unmeasurement pin is not over 1 mA.	2.5~6.0	VDD-1			
	VOH(5)	S16~S29	IOH=-5mA	4.5~6.0	VDD-1.8			
	VOH(6)		·IOH=-1.0mA ·The current of any unmeasurement pin is not over 1 mA.	2.5~6.0	VDD-1			

LC866020A/16A/12A/08A

Parameter	Symbol	Pins	Conditions	Limits				unit
				VDD[v]	min.	typ.	max.	
Output low voltage	VOL(1)	Ports 0,1	IOL=10mA	4.5~6.0			1.5	V
	VOL(2)		IOL=1.6mA	4.5~6.0			0.4	
	VOL(3)		IOL=1.0mA	2.5~6.0			0.4	
	VOL(4)	Port 7	IOL=1mA	4.5~6.0			0.4	
	VOL(5)		IOL=0.5mA	2.5~6.0			0.4	
Pullup MOS Tr. resistor	Rpu	Ports 0,1 Port 7	VOH=0.9 VDD	4.5~6.0	15	40	70	kΩ
			VOH=0.9 VDD	2.5~4.5	25	60	120	
Output off-leakage current	IOFF(1)	S0/T0~S6/T6 S16~S29 (Without pull down resistor.)	Output P-channel Tr. OFF. VOUT=VSS	2.5~6.0	-1			μA
	IOFF(2)		Output P-channel Tr. OFF. VOUT=VDD-40v	2.5~6.0	-30			
Pulldown transistor resistor	Rpd	S0/T0~S15/T15 S16~S29 (With pull down resistor.)	Output P-channel Tr. OFF. VOUT=3 v Vp=-30 v	5.0	60	100	200	kΩ
Hysteresis voltage	VHIS	Ports 0,1 Port 7 RES	Output disable	2.5~6.0		0.1VDD		V
Pin capacitance	CP	All pins.	f=1MHz Unmeasurement terminals for input are set to VSS level. Ta=25°C	2.5~6.0		10		pF

LC866020A/16A/12A/08A

4. Serial input/output characteristics / Ta=-30°C to +70°C , VSS = 0 V

Parameter		Symbol	Pins	Conditions	Limits					
					VDD[V]	min.	typ.	max.	unit	
Serial clock	Input clock	Cycle	TCKCY(1)	SCK0,SCK1	Refer to figure 5	2.5~6.0	2			Tcyc
		Low level pulse width	TCKL(1)			2.5~6.0	1			
		High level pulse width	TCKH(1)			2.5~6.0	1			
	Output clock	Cycle	TCKCY(2)	SCK0,SCK1	· Use pullup resistor (1kΩ) when open drain output. · Refer to figure 5	2.5~6.0	2			
		Low level pulse width	TCKL(2)			2.5~6.0		1/2Tckcy		
		High level pulse width	TCKH(2)			2.5~6.0		1/2Tckcy		
Serial input	Data set up time	TICK	· SI0,SI1 · SB0,SB1	· Data set-up to SCK0,1 · Refer to figure 5	4.5~6.0	0.1			μs	
					2.5~6.0	0.4				
	Data hold time	TCKI		· Data hold from SCK0,1 · Refer to figure 5	4.5~6.0	0.1				
					2.5~6.0	0.4				
Serial output	Output delay time (Serial clock is external clock)	TCKO(1)	· SO0,SO1 · SB0,SB1	· Use pullup resistor (1kΩ) when open drain output.	4.5~6.0			7/12Tcyc +0.2		
					2.5~6.0			7/12Tcyc +1		
	Output delay time (Serial clock is internal clock)	TCKO(2)		· Data hold from SCK0,1 · Refer to figure 5	4.5~6.0			1/3Tcyc +0.2		
					2.5~6.0			1/3Tcyc +1		

LC866020A/16A/12A/08A

5. Pulse input conditions / Ta=-30°C to +70°C , VSS = 0 V

Parameter	Symbol	Pins	Conditions	Limits				
				VDD[v]	min.	typ.	max.	unit
High/low level pulse width	TPIH(1) TPIL(1)	·INT0,INT1 ·INT2/T0IN	·Interrupt acceptable ·Timer0-countable	2.5~6.0	1			Tcyc
	TPIH(2) TPIL(2)	·INT3/T0IN (The noise rejection clock select to 1/1.)	·Interrupt acceptable ·Timer0-countable	2.5~6.0	2			
	TPIH(3) TPIL(3)	·INT3/T0IN (The noise rejection clock select to 1/64.)	·Interrupt acceptable ·Timer0-countable	2.5~6.0	128			
	TPIL(4)	·RES	Reset acceptable	2.5~6.0	200			μs

6. A/D converter characteristics / Ta=-30°C to +70°C , VSS = 0 V

Parameter	Symbol	Pins	Conditions	Limits				
				VDD[v]	min.	typ.	max.	unit
Resolution	N			4.5~6.0		8		bit
Absolute precision (Note 2)	ET			4.5~6.0			±1.5	LSB
Conversion time	TCAD		AD conversion time=16×Tcyc (ADCR2=0) (Note 3)	4.5~6.0	15.68 (Tcyc=0.98 μs)		65.28 (Tcyc=4.08 μs)	μs
			AD conversion time=32×Tcyc (ADCR2=1) (Note 3)		31.36 (Tcyc=0.98 μs)		130.56 (Tcyc=4.08 μs)	
Analog input voltage range	VAIN	AN0~AN3		4.5~6.0	VSS		VDD	V
Analog port input current	IAINH		VAIN=VDD	4.5~6.0			1	μA
	IAINL		VAIN=VSS	4.5~6.0	-1			

(Note 2) Absolute precision excepts quantizing error(±1/2 LSB).

(Note 3) The conversion time means the time to set complete digital conversion value to register from execution of instruction to start conversion.

LC866020A/16A/12A/08A

7. Current dissipation characteristics / Ta=-30°C to +70°C , VSS = 0 V

Parameter	Symbol	Pins	Conditions	Limits				
				VDD[v]	min.	typ.	max.	unit
Current dissipation during basic operation (Note 4)	IDDOP(1)	VDD	<ul style="list-style-type: none"> · FmCF=12MHz · Ceramic resonator oscillation. · FsXtal=32.768 kHz crystal oscillation. · System clock : CF oscillation. · Internal RC oscillation stops. 	4.5~6.0		10	20	mA
	IDDOP(2)		<ul style="list-style-type: none"> · FmCF=3MHz · Ceramic resonator oscillation. · FsXtal=32.768 kHz crystal oscillation. · System clock : CF oscillation . · Internal RC oscillation stops. 	4.5~6.0		3	6	
	IDDOP(3)			2.5~4.5		1.5	5	
	IDDOP(4)		<ul style="list-style-type: none"> · FmCF=0Hz (when oscillation stops). · FsXtal=32.768 kHz crystal oscillation. · System clock : RC oscillation. 	4.5~6.0		0.7	1.4	
	IDDOP(5)			2.5~4.5		0.4	1.2	
	IDDOP(6)		<ul style="list-style-type: none"> · FmCF=0Hz (when oscillation stops). · FsXtal=32.768 kHz crystal oscillation. · System clock : Xtal oscillation. · Internal RC oscillation stops. 	4.5~6.0		35	70	
	IDDOP(7)			2.5~4.5		15	50	

Parameter	Symbol	Pins	Conditions	Limits					
				VDD[V]	min.	typ.	max.	unit	
Current dissipation HALT mode (Note 4)	IDDHALT(1)	VDD	·HALT mode ·FmCF=12MHz Ceramic resonator oscillation. ·FsXtal=32.768 kHz crystal oscillation. ·System clock : CF oscillation . ·Internal RC oscillation stops.	4.5~6.0		5	10	mA	
	IDDHALT(2)		·HALT mode FmCF=3MHz Ceramic resonator oscillation. ·FsXtal=32.768 kHz crystal oscillation. ·System clock : CF oscillation . ·Internal RC oscillation stops.	4.5~6.0		1.8	4.6		
	IDDHALT(3)		oscillation stops.	2.5~4.5		0.8	2.5		
	IDDHALT(4)			·HALT mode FmCF=0Hz (when oscillation stops). ·FsXtal=32.768 kHz crystal oscillation. ·System clock : RC oscillation.	4.5~6.0		400	800	μ A
	IDDHALT(5)			RC oscillation.	2.5~4.5		200	600	
	IDDHALT(6)			·HALT mode FmCF=0Hz (when oscillation stops). ·FsXtal=32.768 kHz crystal oscillation. ·System clock : Xtal oscillation. ·Internal RC oscillation stops.	4.5~6.0		20	60	
	IDDHALT(7)			oscillation stops.	2.5~4.5		7	40	
Current dissipation HOLD (Note 4)	IDDHOLD(1)	VDD	HOLD mode	4.5~6.0		0.05	30		
	IDDHOLD(2)			2.5~4.5		0.02	20		

(Note 4) The currents of output transistors and pull-up transistors are ignored.

Table 1. Ceramic resonator oscillation guaranteed constant (main-clock)

A kind of oscillation	Producer	Oscillator	C1	C2
12MHz ceramic resonator oscillation	Murata	CSA12.0MTZ	33pF	33pF
		CSA12.0MT	33pF	33pF
		CST12.0MTW	on chip	
3MHz ceramic resonator oscillation	Murata	KBR-12.0M	33pF	33pF
		CSA3.00MG	33pF	33pF
		CST3.00MGW	on chip	
	Kyocera	KBR-3.0MS	47pF	47pF

* Both C1 and C2 must use K rank ($\pm 10\%$) and SL characteristics.

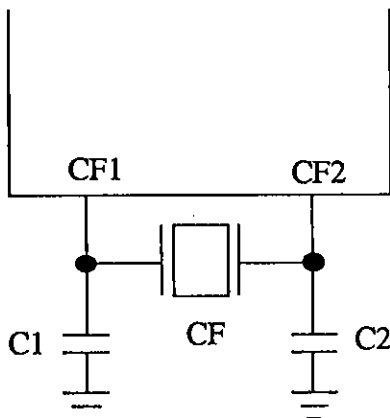
Table 2. Crystal oscillation guaranteed constant (sub-clock)

A kind of oscillation	Producer	Oscillator	C3	C4
32.768kHz crystal oscillation	Dai Sinky	DT-38(1TA252E00)	18pF	18pF
	Kyocera	KF-38G-13P0200	18pF	18pF

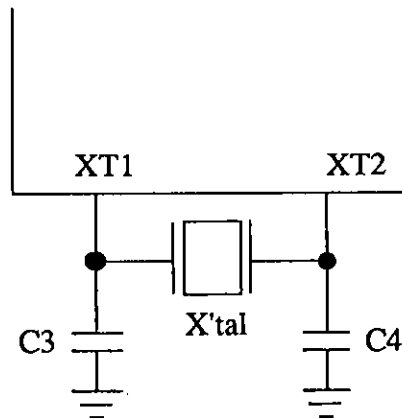
* Both C3 and C4 must use J rank ($\pm 5\%$) and CH characteristics.

(It is about the application which is not in need of high precision. Use K rank ($\pm 10\%$) and SL characteristics.)

- (Note) · Since the circuit pattern affects the oscillation frequency, place the oscillation-related parts as close to the oscillation pins as possible with the shortest possible pattern length.
 · If you use other oscillators herein, we provide no guarantee for the characteristics.



·Figure 1 Main-clock circuit
Ceramic resonator oscillation



·Figure 2 Sub-clock circuit
Crystal oscillation

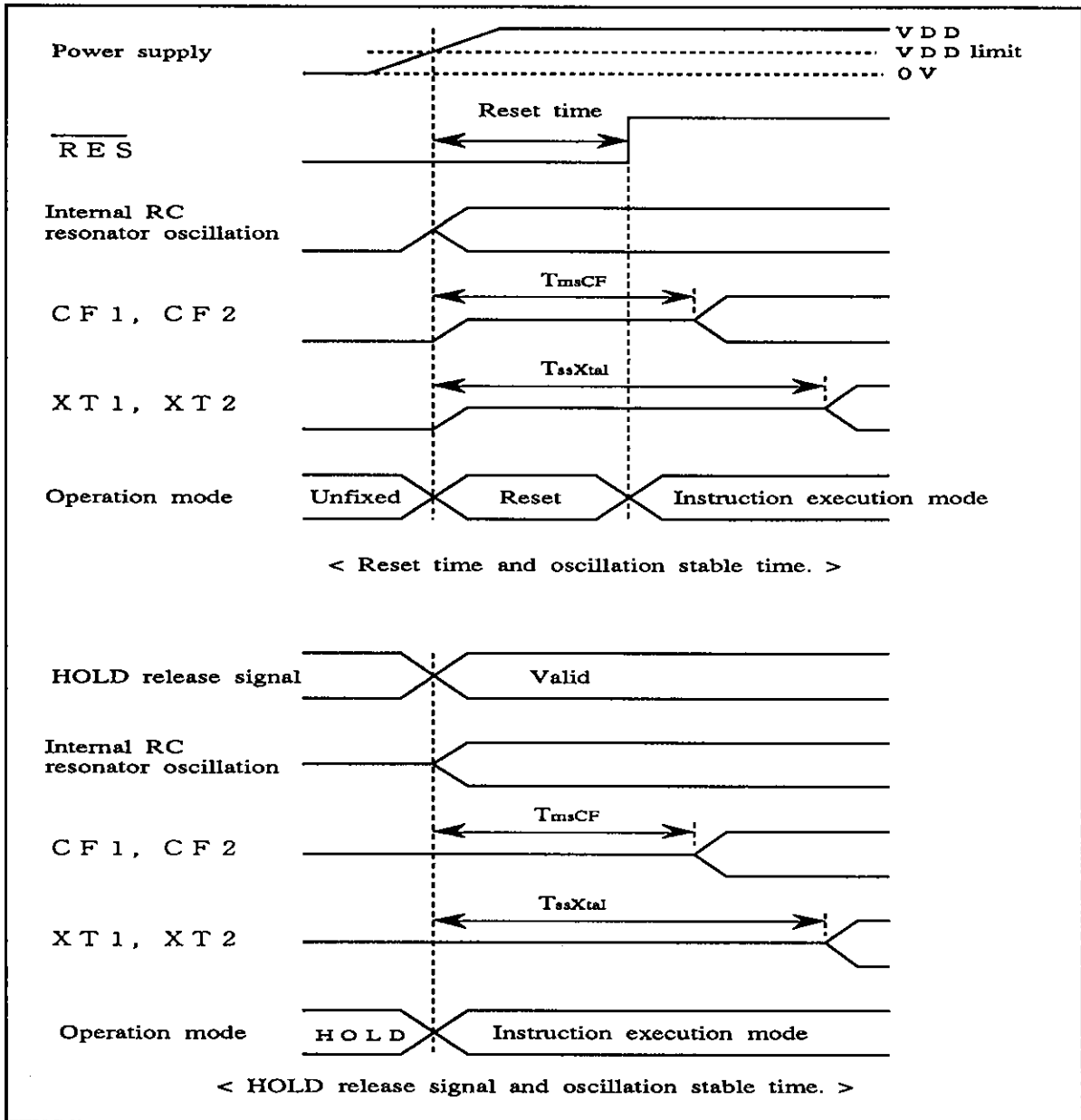
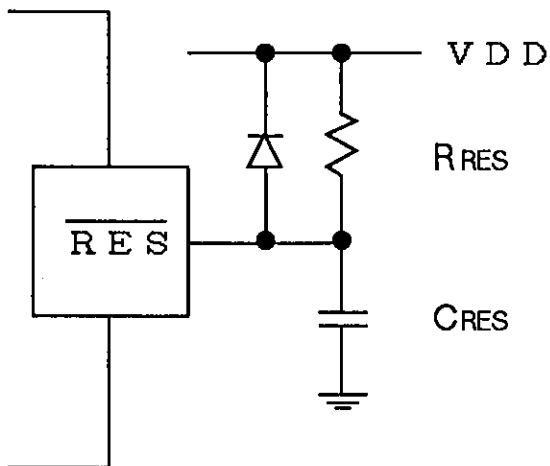


Figure. 3 Oscillation stable time



(Note) Fix the value of CRES, RRES that is sure to reset until 200 μ s, after Power supply has been over inferior limit of supply voltage.

Figure. 4 Reset circuit

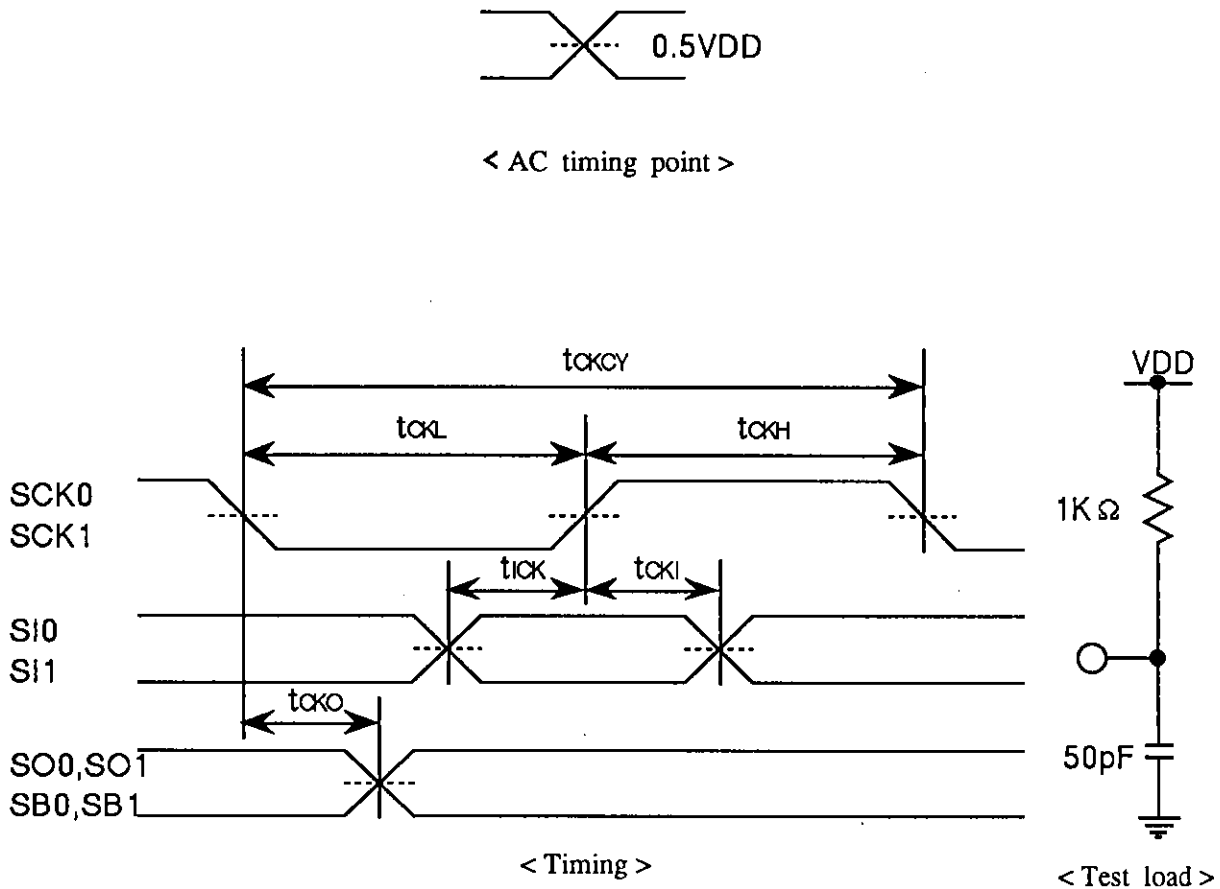


Figure. 5 Serial input/output test condition

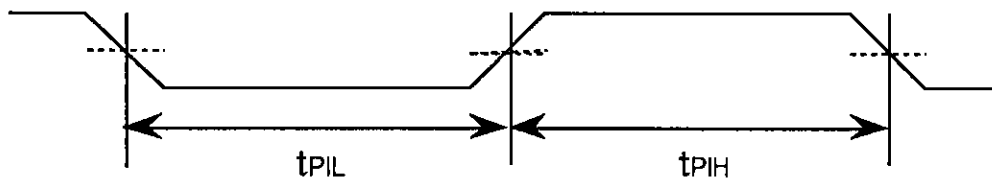


Figure. 6 Pulse input timing condition

■ No products described or contained herein are intended for use in surgical implants, life-support systems, aerospace equipment, nuclear power control systems, vehicles, disaster/crime-prevention equipment and the like, the failure of which may directly or indirectly cause injury, death or property loss.

■ Anyone purchasing any products described or contained herein for an above-mentioned use shall:

- ① Accept full responsibility and indemnify and defend SANYO ELECTRIC CO., LTD., its affiliates, subsidiaries and distributors and all their officers and employees, jointly and severally, against any and all claims and litigation and all damages, cost and expenses associated with such use:
- ② Not impose any responsibility for any fault or negligence which may be cited in any such claim or litigation on SANYO ELECTRIC CO., LTD., its affiliates, subsidiaries and distributors or any of their officers and employees jointly or severally.

■ Information (including circuit diagrams and circuit parameters) herein is for example only; it is not guaranteed for volume production. SANYO believes information herein is accurate and reliable, but no guarantees are made or implied regarding its use or any infringements of intellectual property rights or other rights of third parties.