

Sheet: CPU

File: Page1.sch

Sheet: Buffers, Switches and LEDs

File: Page2.sch

Sheet: Status LEDs

File: page3.sch

NANO-KIT Schematic  
Reverse Engineered 2021/2022  
wrm  
[www.retro.co.za](http://www.retro.co.za)

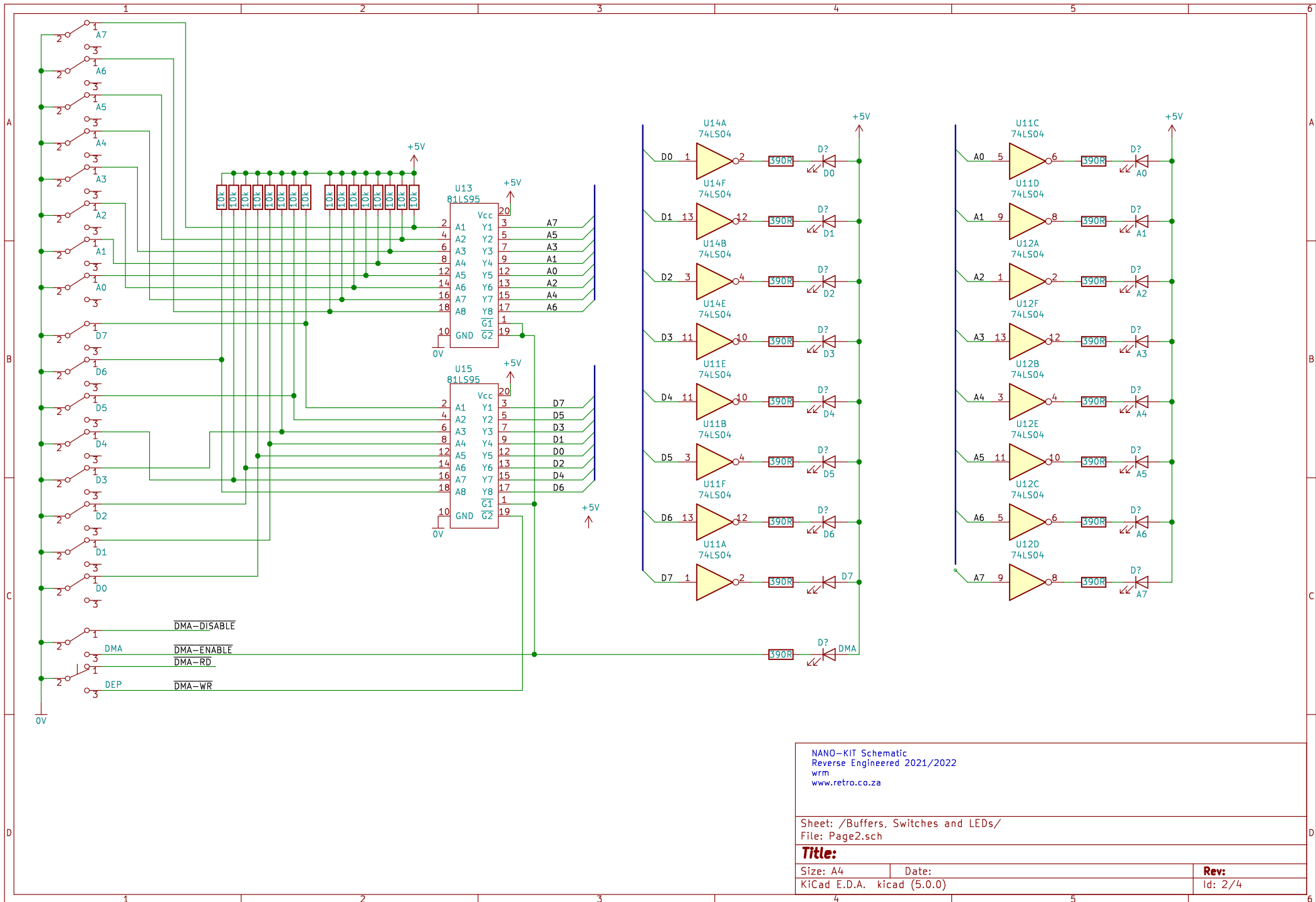
Sheet: /  
File: Schematic.sch

**Title:**

Size: A4  
KiCad E.D.A. kicad (5.0.0)

Date:

**Rev:**  
Id: 1/4

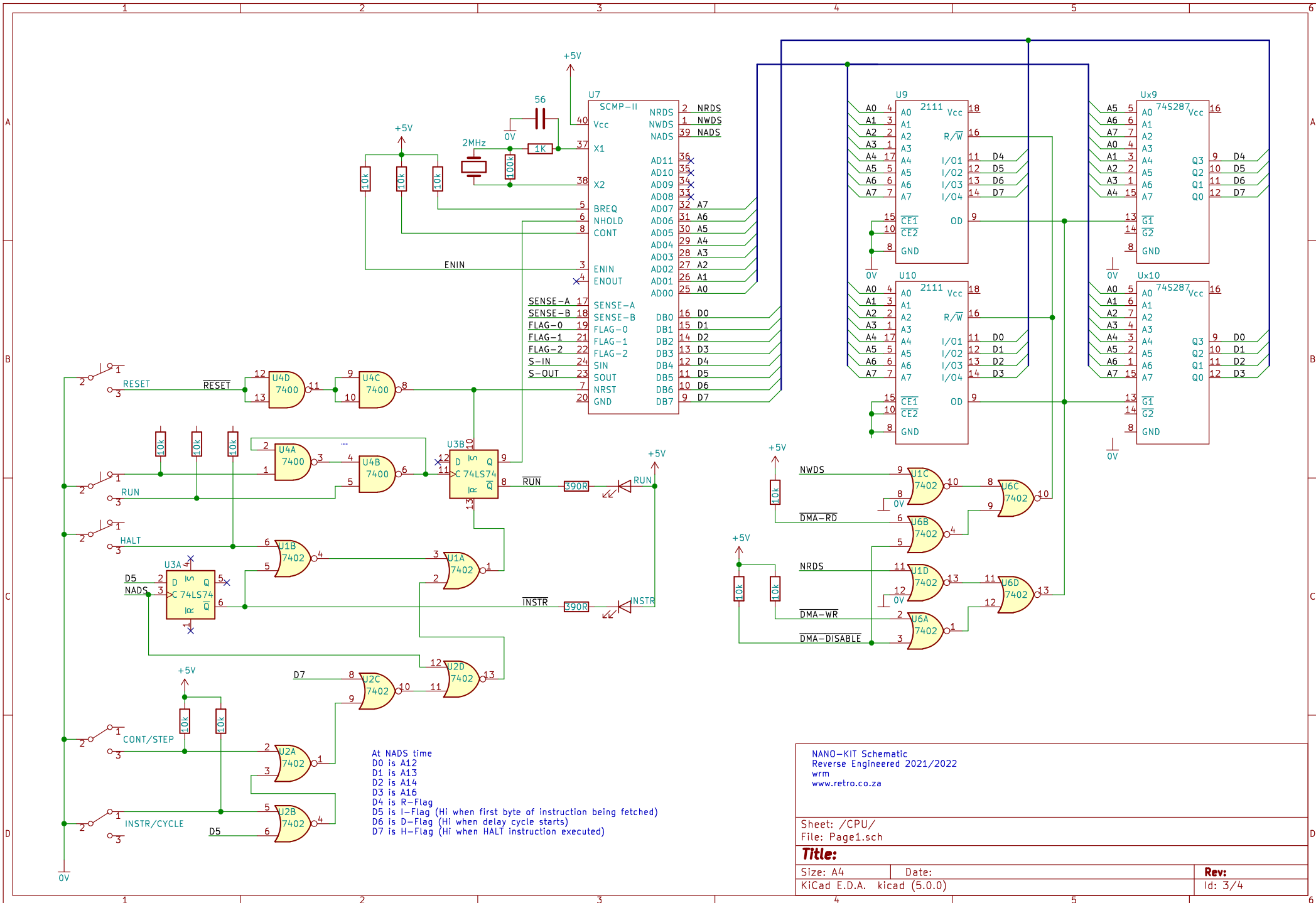


NANO-KIT Schematic  
Reverse Engineered 2021/2022  
wrm  
[www.retro.co.za](http://www.retro.co.za)

Sheet: /Buffers, Switches and LEDs/  
File: Page2.sch

**Title:**

Size: A4	Date:	<b>Rev:</b>
KiCad E.D.A. kicad (5.0.0)		Id: 2/4



U7 SCMP-II

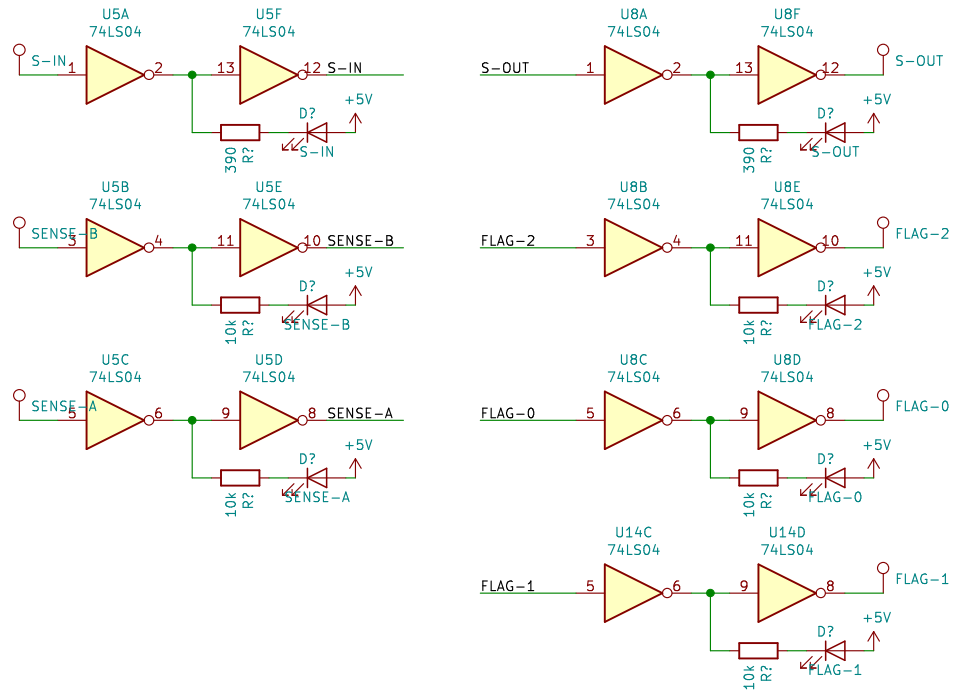
NRDS	2	NRDS
NWDS	1	NWDS
NADS	39	NADS
AD11	36	X
AD10	35	X
AD09	34	X
AD08	33	X
AD07	32	A7
AD06	31	A6
AD05	30	A5
AD04	29	A4
AD03	28	A3
AD02	27	A2
AD01	26	A1
AD00	25	A0
SENSE-A	17	SENSE-A
SENSE-B	18	SENSE-B
FLAG-0	19	FLAG-0
FLAG-1	21	FLAG-1
FLAG-2	22	FLAG-2
S-IN	24	SIN
S-OUT	23	SOUT
NRST	7	NRST
DB0	16	D0
DB1	15	D1
DB2	14	D2
DB3	13	D3
DB4	12	D4
DB5	11	D5
DB6	10	D6
DB7	9	D7

NANO-KIT Schematic  
 Reverse Engineered 2021/2022  
 wrm  
[www.retro.co.za](http://www.retro.co.za)

Sheet: /CPU/  
 File: Page1.sch

<b>Title:</b>		<b>Rev:</b>	
Size: A4	Date:	Id: 3/4	
KiCad E.D.A. kicad (5.0.0)			

At NADS time  
 D0 is A12  
 D1 is A13  
 D2 is A14  
 D3 is A16  
 D4 is R-Flag  
 D5 is I-Flag (Hi when first byte of instruction being fetched)  
 D6 is D-Flag (Hi when delay cycle starts)  
 D7 is H-Flag (Hi when HALT instruction executed)



NANO-KIT Schematic  
 Reverse Engineered 2021/2022  
 wrm  
[www.retro.co.za](http://www.retro.co.za)

Sheet: /Status LEDs/  
 File: page3.sch

**Title:**

Size: A4  
 KiCad E.D.A. kicad (5.0.0)

Date:

Rev:  
 Id: 4/4